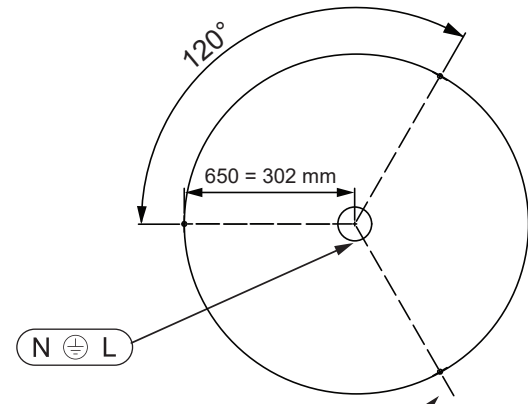


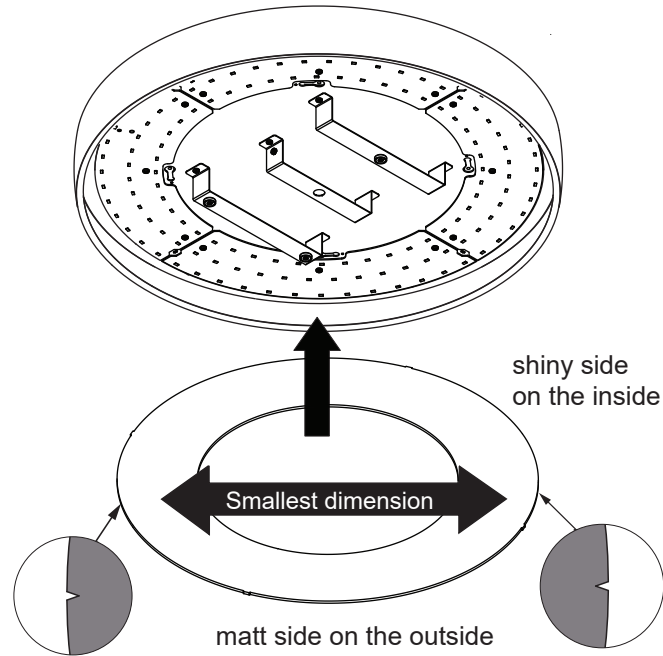
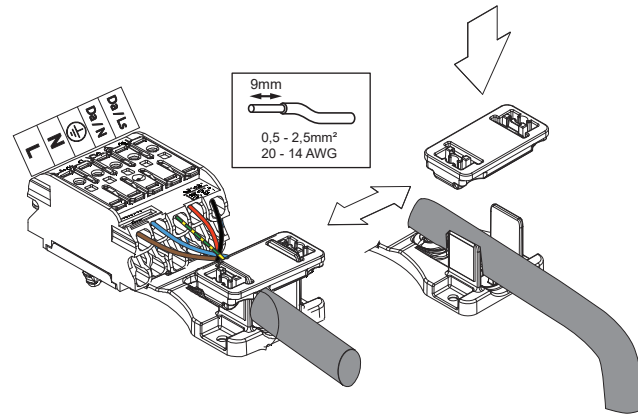
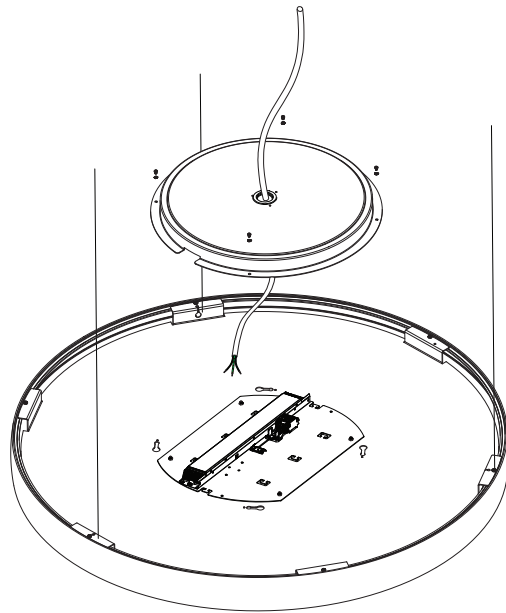
# Flat moon Eclips 650 suspension down LED Dali-PD GI

133723XX\_133724XX\_133725XX

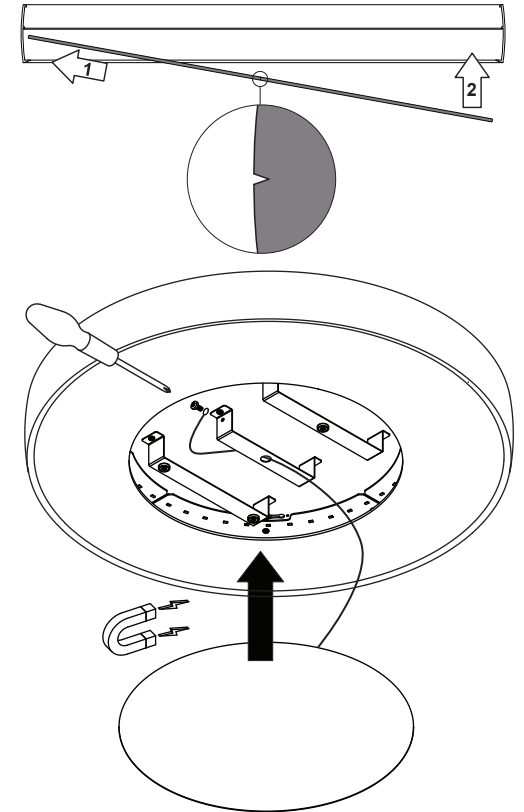
Scan for installation video or go to [supermodular.com/en/flat-moon/](http://supermodular.com/en/flat-moon/)



SUSPENSION HOLES (3 cables)



Be careful not to damage the LEDs when inserting the diffuser



	If the external flexible cable or cord of this luminaire is damaged, it shall be exclusively replaced by the manufacturer or his service agent or a similar qualified person in order to avoid hazard
	Replace protective shield when broken. The luminaire shall only be used complete with its protective shield. Reference number: 1013055
	The light source contained in this luminaire shall only be replaced by the manufacturer or his service agent or a similar qualified person

220-230V 50-60Hz		DALI	PUSH		IP 20	NO UV / IR		
---------------------	--	------	------	--	-------	------------	--	--