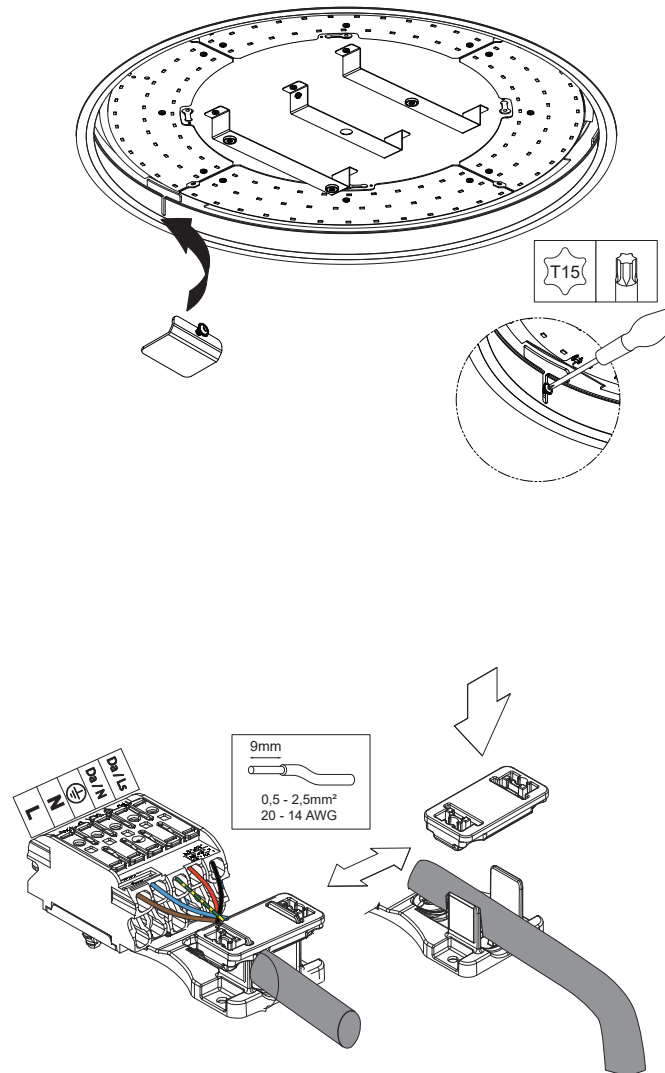
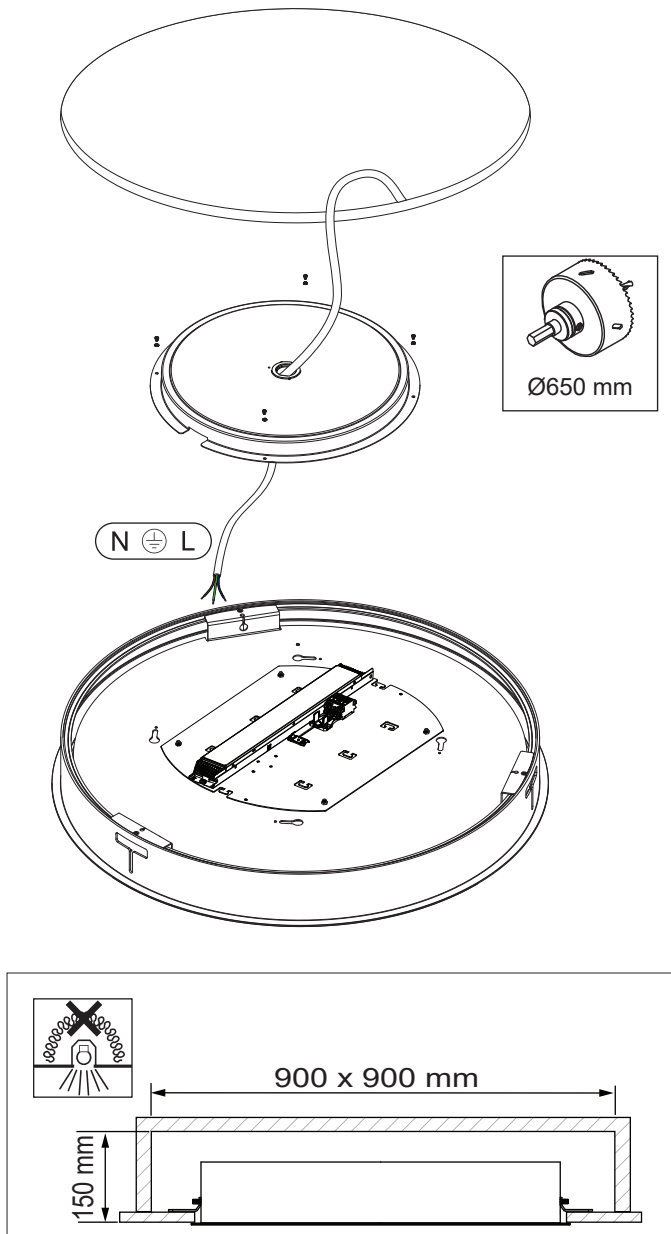


Flat moon Eclips 670 recessed LED Dali/PD

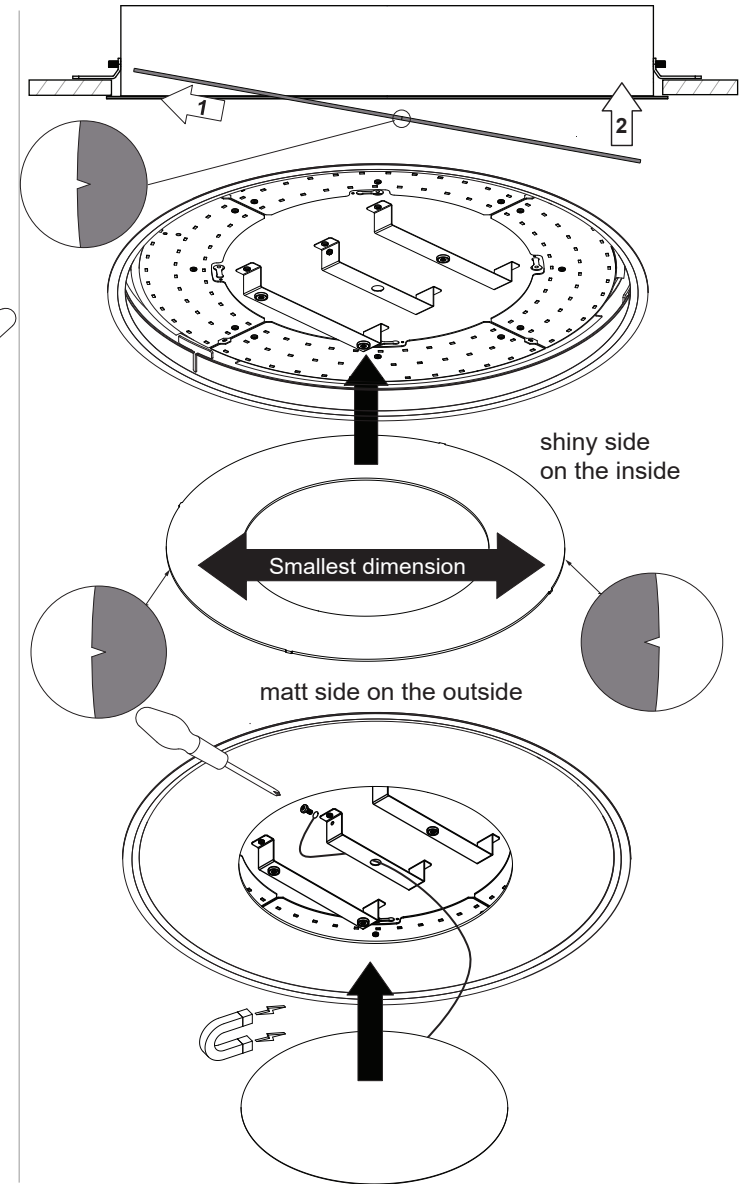
133823XX 133824XX 133825XX

Scan for installation video or go to supermodular.com/en/flat-moon/



Replace protective shield when broken. The luminaire shall only be used complete with its protective shield. Reference number: 1013055

The light source contained in this luminaire shall only be replaced by the manufacturer or his service agent or a similar qualified person



220-230V 50-60Hz

⊕

DALI

PUSH

↑

IP 20

NO UV / IR

CE