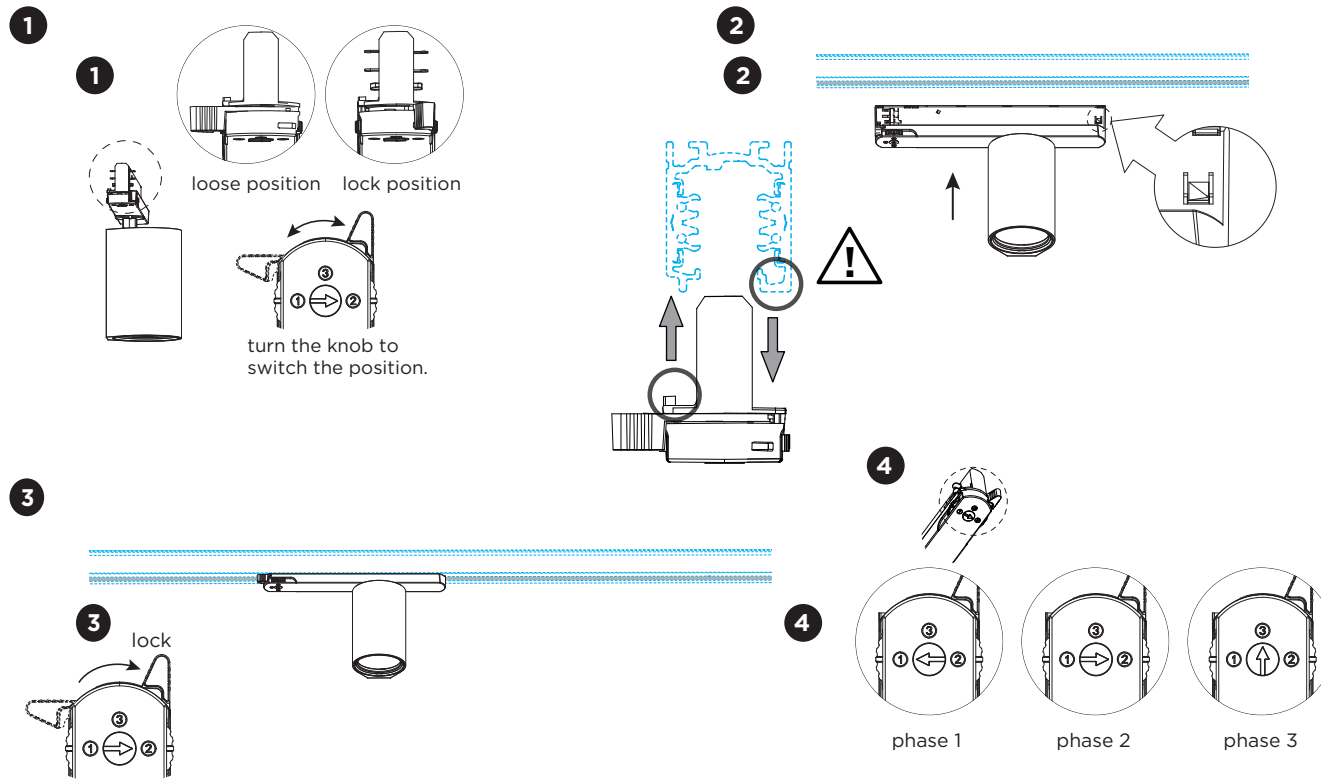
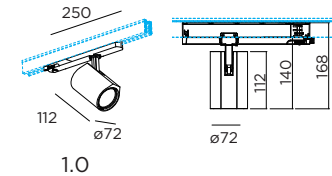


CENO fort on track (3-phase)

INSTALLATION INSTRUCTIONS | NOVEMBER 2022



DIMENSIONS



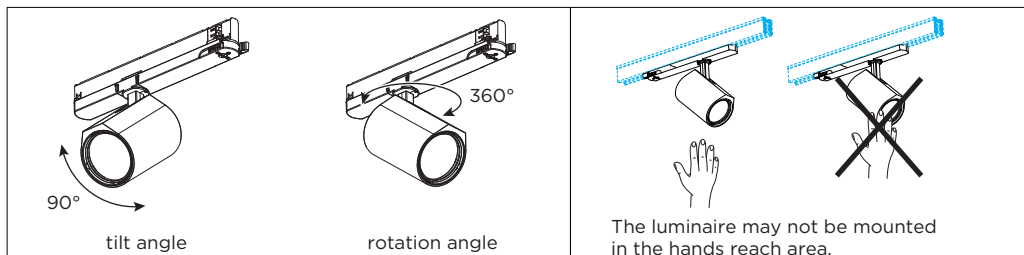
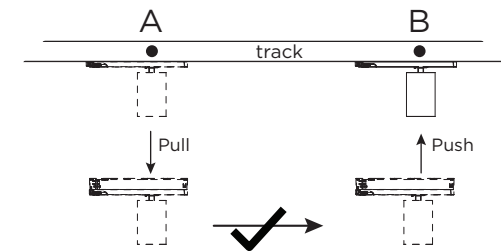
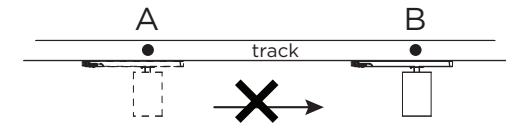
MOUNTING INSTRUCTION

- 1** Make sure the knob is on the loose position.
- 2** Push the fixture into the track.
- 3** Turn the knob to the lock position.
- 4** Select the phase.



WARNING

Note: the fixture is not allowed to slide in the track. If you want to change location of the fixture in the track, please pull the fixture out of the track and install it on the correct position.



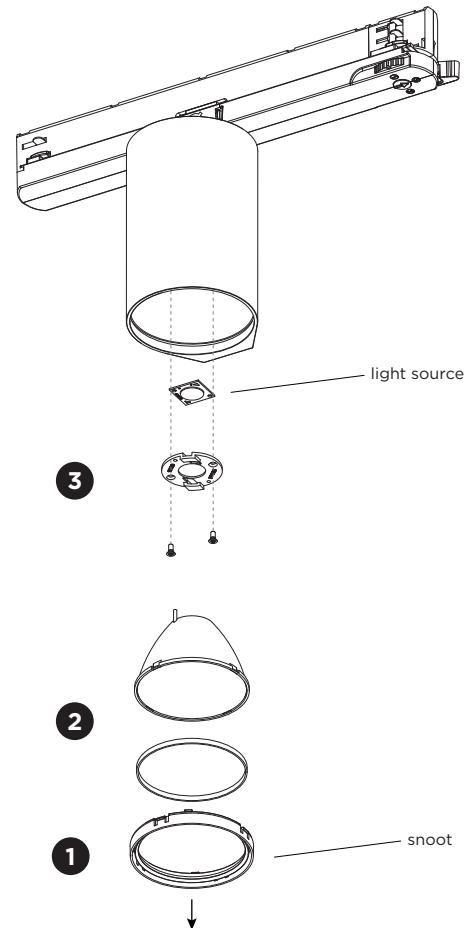
WEVER & DUCRÉ
LIGHTING

WEVER & DUCRÉ BV
Spinnerijstraat 99/21, 8500 Kortrijk, Belgium
weverducre.com

PB19-010-751-00_v1

CENO fort on track (3-phase)

INSTALLATION INSTRUCTIONS | NOVEMBER 2022



DISMOUNTING AND RECYCLING INSTRUCTIONS Light source

- 1** Pull out the snoot.
- 2** Put out all parts to remove the light source.



The light source is replaceable by an authorized professional.
For advice contact your Wever & Ducré customer service contact point.



This luminaire contains a light source with the energy class E.