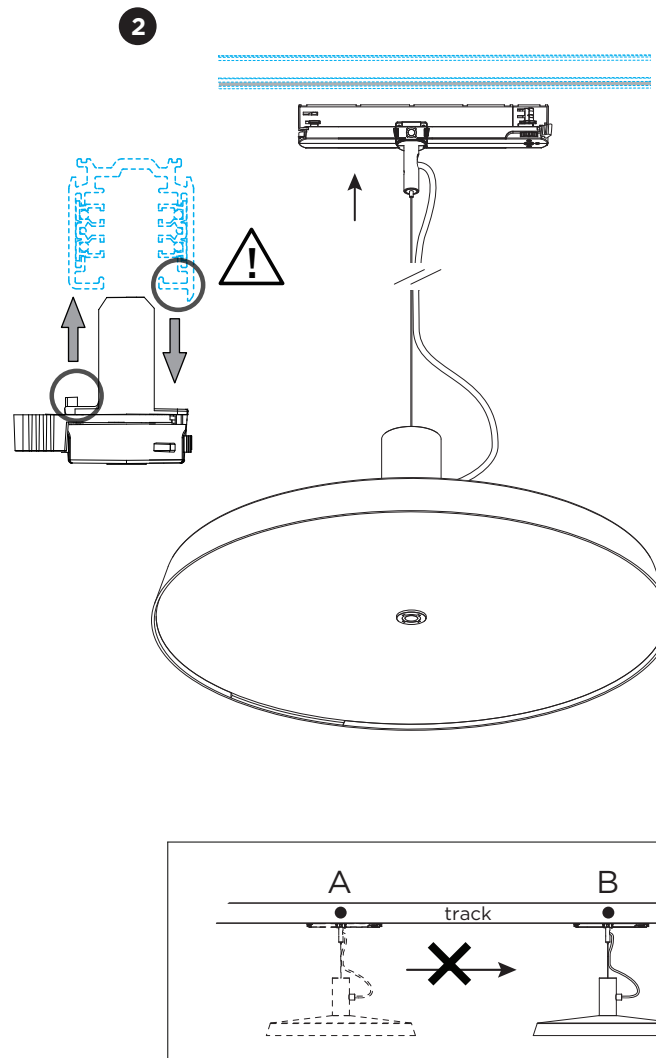
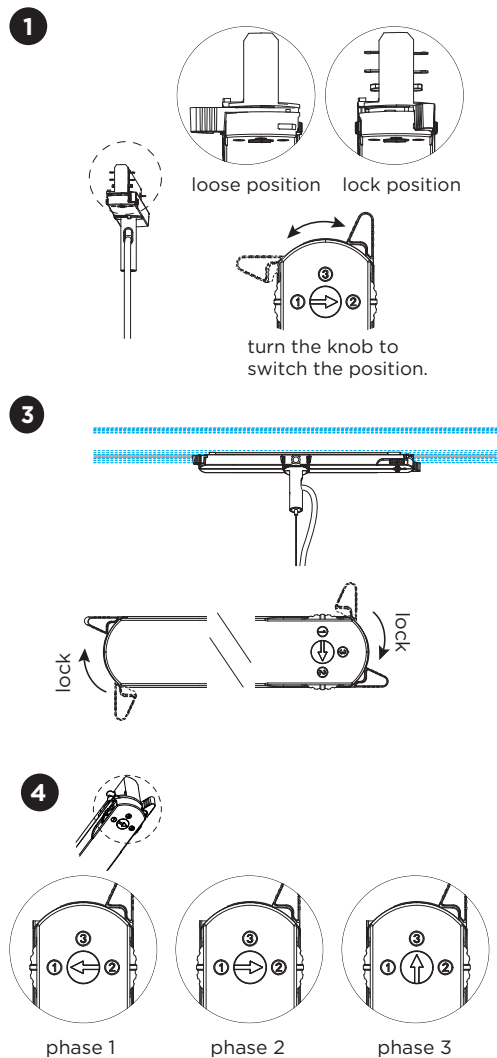
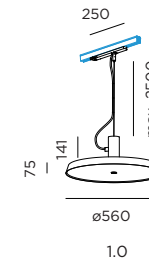


ROOMOR OFFICE DALI ON TRACK (3-phase)

INSTALLATION INSTRUCTIONS | DECEMBER 2022



DIMENSIONS



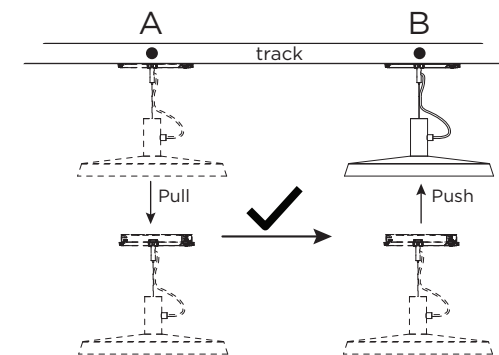
MOUNTING INSTRUCTION

- 1** Make sure the knobs are on the loose position.
- 2** Push the fixture into the track.
- 3** Turn the knobs to the locked position.
- 4** Select the phase by turning the arrow on the wheel to the wanted phase.



WARNING

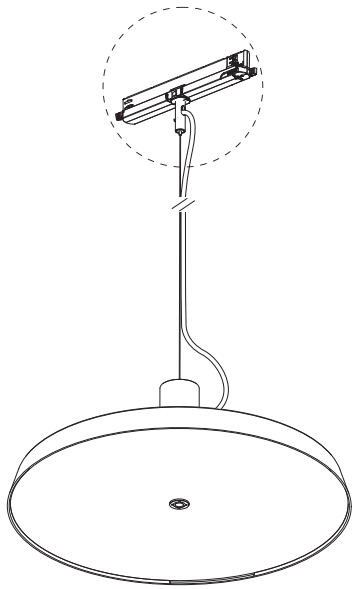
Note: the fixture is not allowed to slide in the track. If you want to change location of the fixture in the track, please pull the fixture out of the track and install it on the correct position.



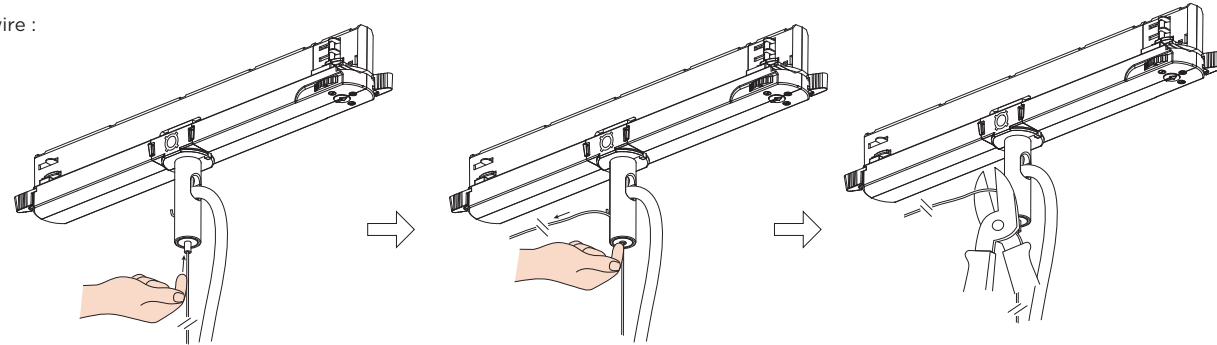
PB19-010-787-00_v1

ROOMOR OFFICE DALI ON TRACK (3-phase)

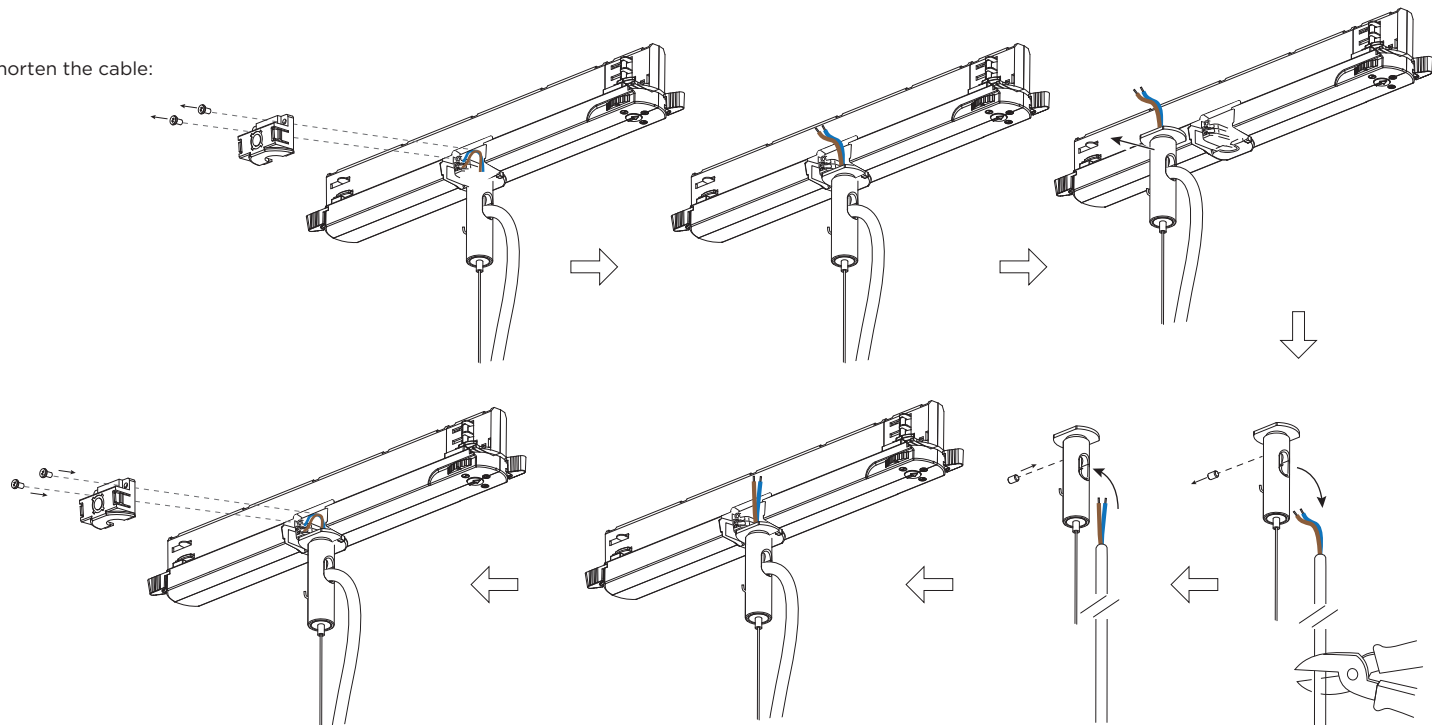
INSTALLATION INSTRUCTIONS | DECEMBER 2022



Shorten the steelwire :

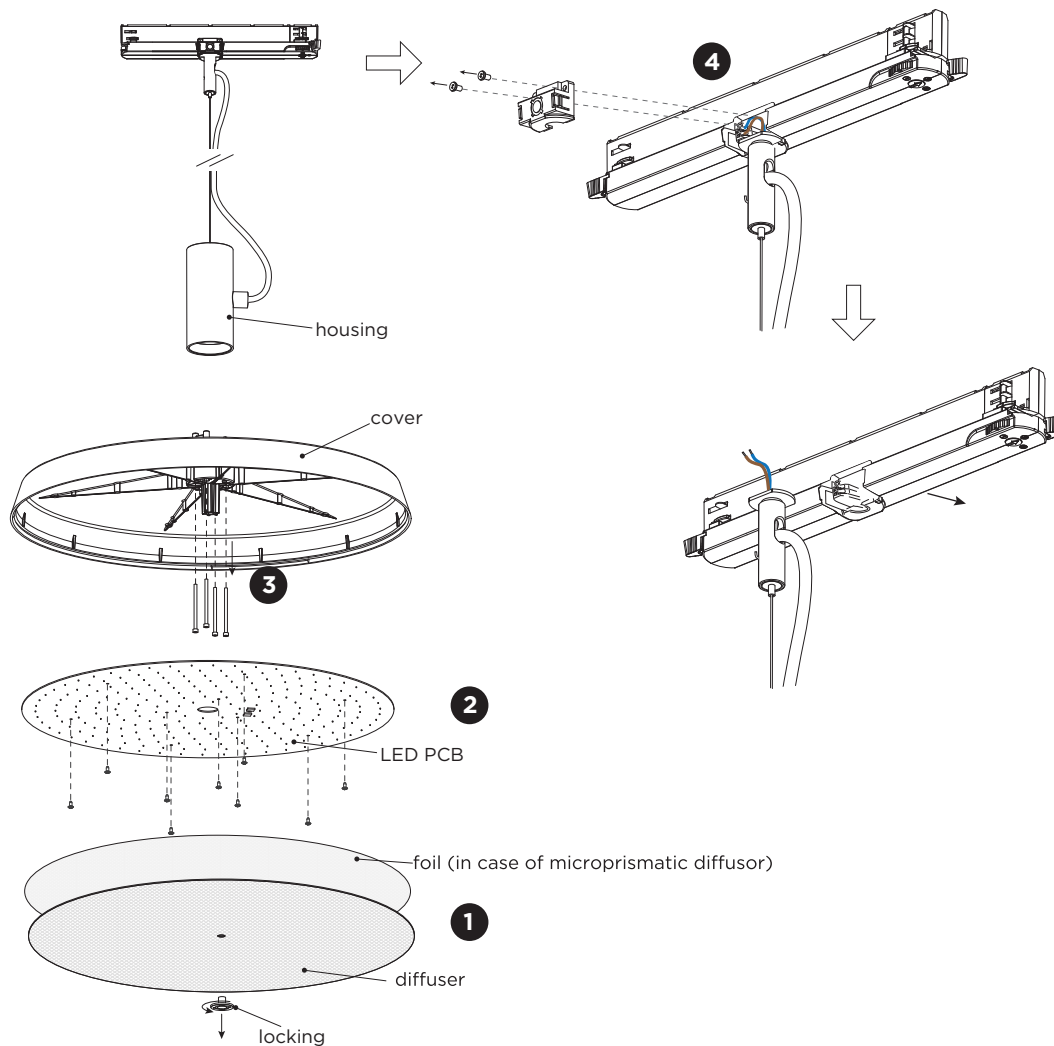


Shorten the cable:



ROOMOR OFFICE DALI ON TRACK (3-phase)

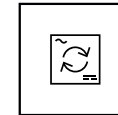
INSTALLATION INSTRUCTIONS | DECEMBER 2022



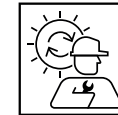
DISMOUNTING AND RECYCLING INSTRUCTIONS

Light source & driver

- 1 Unscrew the locking and remove the diffuser (+foil).
- 2 Unscrew the 9 screws, disconnect the wires and remove the LED PCB.
- 3 Unscrew the 4 long screws and remove the housing from the cover.
- 4 Remove the adapter from the fixture.



The driver can be replaced by the end user.



The light source is replaceable by an authorized professional.
For advice contact your Wever & Ducré customer service contact point.



This luminaire contains a light source with the energy class E.